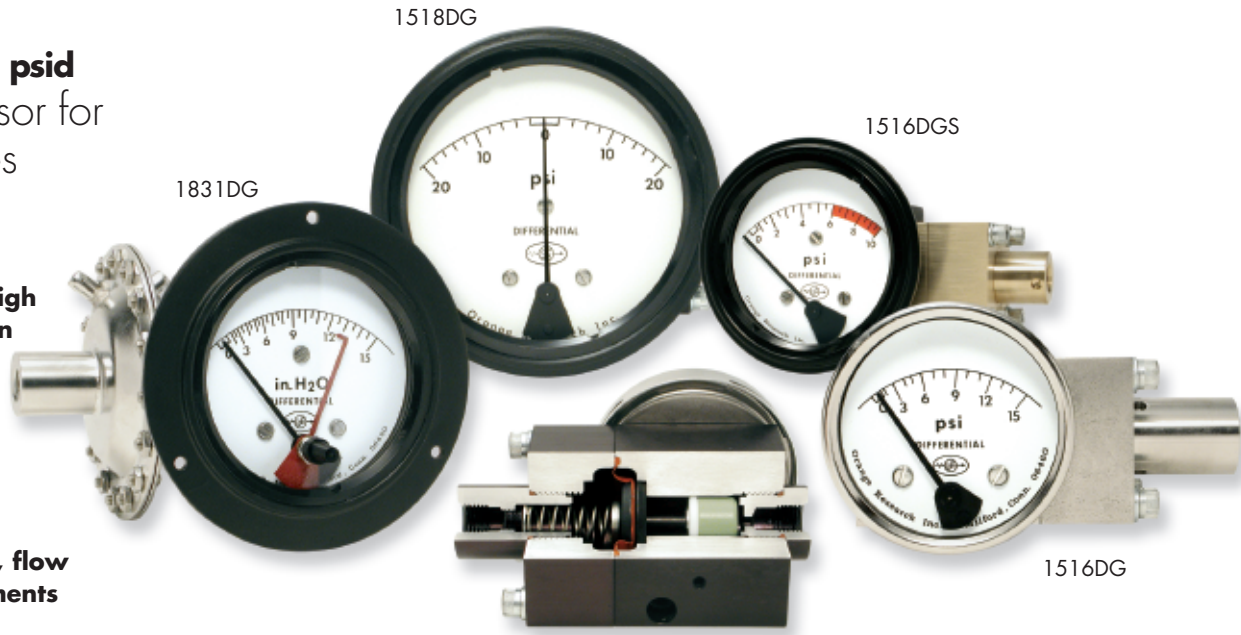


0-5" H₂O to 0-50 psid
Diaphragm Sensor for
Liquids or Gases

Features

- **Low DP ranges at high line pressures, down to 0-5 inches H₂O**
- **Rugged, weather-proof design**
- **Gauge, switch and transmitter versions**
- **Popular in filtration, flow and level measurements**



Select these diaphragm sensor models where low differential pressures exist. The popular 1516 model measures from 0-1 psid up to 0-50 psid. Our 1800 series models include our most sensitive diaphragm which can measure from 0-5" H₂O to 0-8 psid. We also offer compound range models with a zero center.

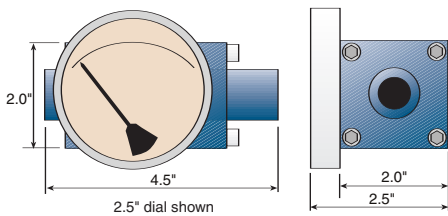
As differential pressure changes the diaphragm sensor magnet moves proportionally. This movement is tracked by a pointer magnet, which rotates, relaying the reading onto an easy-to-read 2.5 to 6 inch dial.

The diaphragm sensor separates the high and low-pressure ports making them popular for gases as well as liquids. There is no bypass between these ports as with our piston models.

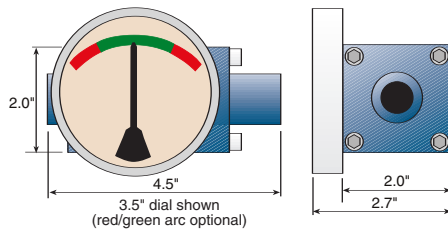
Select from a variety of options such as follower pointers, red arcs and mounting brackets along with switch, relay or transmitter outputs. More details on these models can be found on our DP introduction pages 2-5. Electrical details are on pages 26-27.

Dimensions

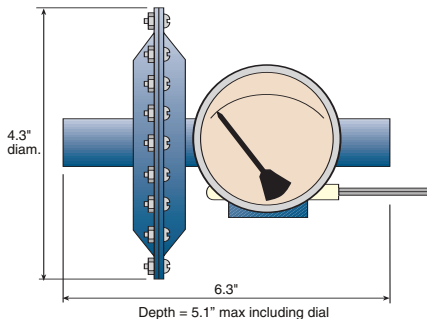
Detailed drawings on website.



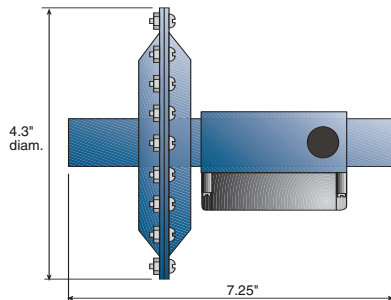
1516DG



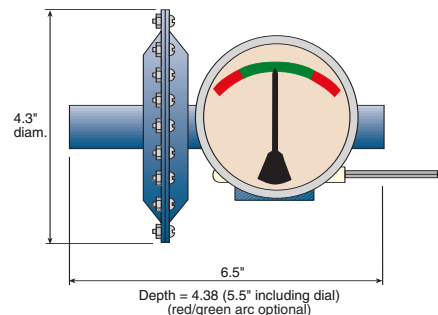
1518DG



1831DGS



1833DS



1835DGS

Specifications (Detailed Specification Sheets on Website)

Model	Differential pressure range	Maximum line pressure/temperature	Accuracy (F.S.) (Ascending)	Porting (Many porting types available)	Electrical Available*
1516DG/DGS/DS/DGT/DT	0-1 to 0-50 psid (0-0.07 to 0-3.3 bar)	1500 psig (100 bar)/200°F (93°C)	2%	1/4" NPT	1 or 2 switches transmitter Class 1 Div. 2
1518DG/DGS	10-0-10 to 50-0-50 psid (0.5-0-0.5 to 3.3-0-3.3 bar)	1500 psig (100 bar)/200°F (93°C)	2%	1/4" NPT	1 or 2 switches Class 1 Div. 2
1831DG/DGS	0-5" H ₂ O to 0-8 psid (0-125 mm H ₂ O to 0-0.5 bar)	Aluminum body 100 psig (7 bar)/200°F (93°C) Stainless steel body 150 psig (10 bar)/200°F (93°C)	2%	1/4" NPT	1 or 2 switches No enclosure
1833DGS/DS/DGT/DT	0-5" H ₂ O to 0-8 psid (0-125 mm H ₂ O to 0-0.5 bar)	Aluminum body 100 psig (7 bar)/200°F (93°C) Stainless steel body 150 psig (10 bar)/200°F (93°C)	2%	1/4" NPT	1 or 2 switches 1 relay transmitter Class 1 Div.
1835DG/DGS/DS	5-0-5" H ₂ O to 8-0-8 psid (125 mm-0-125 mm H ₂ O to 0.5-0-0.5 bar)	Aluminum body 100 psig (7 bar)/200°F (93°C) Stainless steel body 150 psig (10 bar)/200°F (93°C)	2%	1/4" NPT	1 or 2 switches No enclosure

D=Diaphragm G=Gauge S=Switch T=Transmitter

*NEMA 4X switch models have a 1/2 inch NPT conduit port as standard. A DIN 43650A-PG11 with mating connector is optional, rated IP65 & NEMA 4X

How to Order

Select from each of the applicable categories to construct a model number. Use the model number when ordering or obtaining additional information and pricing from Orange Research or your local distributor.

Reordering? You must supply the Part Number from your instrument label.

Sample Model Number
1516DGS - 1A - 2.5B - A 0-1 psid, 1, 3, E

1516DGS	1A	2.5B	A	0-1 psid	1, 3, E
Model	Pressure Body	Dial Case	Electrical	Range	Options (more on pg. 5)
1516DG	In-line ports:	2.5B = 2.5" basic	A = SPST, N.O.	Model 1516:	1 = 1/2" NPT
1516DGS	1A = aluminum	3.5B = 3.5" basic	B = SPST, N.C.	0-1, 0-2, 0-3, 0-5, 0-8,	2 = plastic lens
1516DS	1C = 316 stainless steel	4.5B = 4.5" basic	C = SPDT	0-10, 0-15, 0-20, 0-25,	3 = liquid filled (glycerine)
1518DG	1E = brass	6B = 6.0" basic	A-A = 2 ea. - A	0-30, 0-35, 0-40, 0-50	4 = follower pointer
1518DGS			B-B = 2 ea. - B	psid	5 = Teflon coated magnet/spring
1831DG	Change "1" above to	Change "B" to "F"	C-C = 2 ea. - C	Models 1831 & 1833:	6 = red arc (specify range)
1831DGS	"4" for back ports; to	above for flanged	R2 = relay	0-5", 0-10", 0-15", 0-20",	7 = dual scale (specify both)
1833DGS	"5" for bottom ports	dial case	T2 = transmitter	0-25", 0-30", 0-40",	8 = high temperature
1833DS				0-50", 0-60", 0-80",	Special Diaphragm & Seals
1835DG	1518 & 1800 series in-			0-100", 0-150",	(Buna-N standard):
1835DGS	line only; 1835 SS only			0-200" H ₂ O; 0-8 psid	E = EPDM
1835DS					F = Fluorosilicone
More models above				For compound ranges, see p 5	V = Viton
					T = Teflon (o-ring seals only)